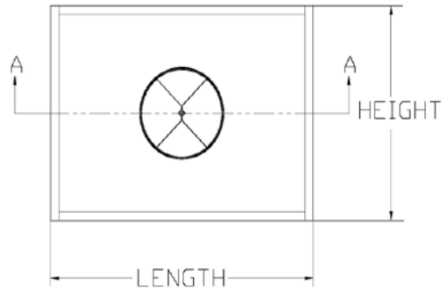
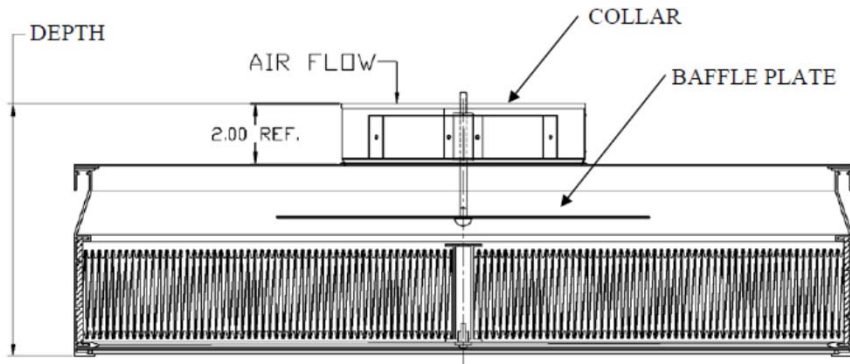


### FlowStar DTM Specifications

- 1) Media Separators: Hot Melt
- 2) Frame Material: Extruded, clear anodized aluminum frame
- 3) Sealant: 2-part polyurethane
- 4) Filter tolerances are +0.00/-0.13 from listed dimensions
- 5) Filters will be square to within 1/8" for diagonals under 30 in. and Filters will be square to within 1/4" for diagonals over 30 in.
- 6) UL Rating: UL 900 Classified
- 7) Upstream, Downstream, Both, or No gasketing options available  
Gasket to be ball-in-socket joint and sealed with flexible sealant
- 8) Screens available on Upstream, Downstream, or Both sides of filter  
Material: Anodized aluminum, aluminum perforated, expanded painted white, Stainless steel perforated, stainless steel, or powder coated steel
- 9) Hanging tabs, (1) per each top corner
- 10) Available with No Divider, Divider with 0-Test Ports, 1-, 2-, or 3-Test Port Divider
- 11) Efficiencies available: IEST A-99.97% @0.3 micron, IEST C-99.99% @0.3 micron, IEST D-99.999% @0.3 micron, or IEST F-99.999% @0.1 micron
- 12) Optional fiberglass blanket available
- 13) Filters manufactured in accordance with IEST-RP-CC001.5



### Filter & Air Resistance Information

(Resistance based on open media face, 100 fpm air velocity)

Filter Depth (Inches)	Item	Pack Depth (Inches)	Resistance Type C (Inches W.G.)	Resistance Type F (Inches W.G.)
7.25	DTM-12	2.0	0.52	0.64
7.88	DTM-01	2.5	0.45	0.53
9.25	DTM-20	4.0	0.36	0.40

### Additional Options

- 1) Collar Sizes: 6", 8", 10", 12", 14", or 16"
- 2) Baffle Plate: Adjustable, Fixed, or Butterfly Damper

### SPECIFICATION INFORMATION

Customer Information: \_\_\_\_\_

Item Number: \_\_\_\_\_

For Non-Standard Sizes, Please Consult the Factory.

\_\_\_\_\_ (H) X \_\_\_\_\_ (W) X \_\_\_\_\_ (D)

Please Specify Size as Nominal or Exact \_\_\_\_\_

### SPECIFIED OPTIONS

Customer Initial and Date for Product Specification \_\_\_\_\_



### FLOWSTAR Ducted Terminal Module (DTM)

Rev	BC	Date:	4/12/2018	Drawing Number:	Revision:
<a href="http://FiltrationGroupIAQ.com">FiltrationGroupIAQ.com</a>				<b>SD-DTM</b>	<b>06</b>