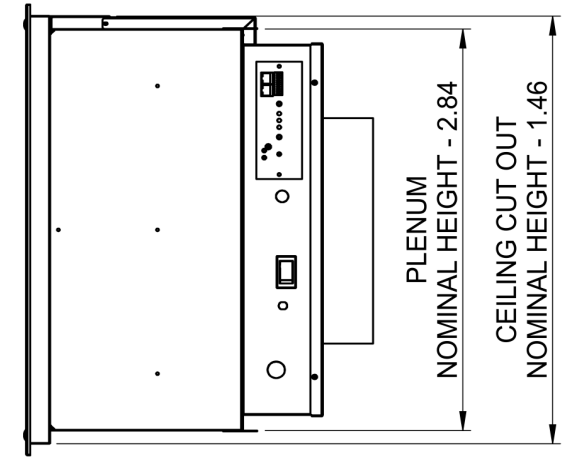


DIMENSIONS ARE IN INCHES/LBS UNLESS OTHERWISE SPECIFIED.  
DIMENSIONS IN PARENTHESIS ARE FOR REFERENCE ONLY  
TOLERANCES: ANGULAR; MACH 1' . BENO 1' 1' : TWO DECIMALS ! .03;  
THREE DECIMAL ! .010; THREE DECIMALS FOR LASER ! .005.



**FFU VS100**

[FiltrationGroupIAQ.com](http://FiltrationGroupIAQ.com)

|     |    |       |            |
|-----|----|-------|------------|
| Rev | SC | Date: | 10/23/2018 |
| App | VM | Date: | 10/23/2018 |

|                 |                 |           |          |
|-----------------|-----------------|-----------|----------|
| Drawing Number: | <b>SD-VS100</b> | Revision: | <b>A</b> |
|-----------------|-----------------|-----------|----------|

**SPECIFICATION INFORMATION**

Customer Information: \_\_\_\_\_

Item Number: \_\_\_\_\_

For Non-Standard Sizes, Please Consult the Factory.

\_\_\_\_\_ (H) X \_\_\_\_\_ (W) X \_\_\_\_\_ (D)

Please Specify Size as Nominal or Exact \_\_\_\_\_

**SPECIFIED OPTIONS**

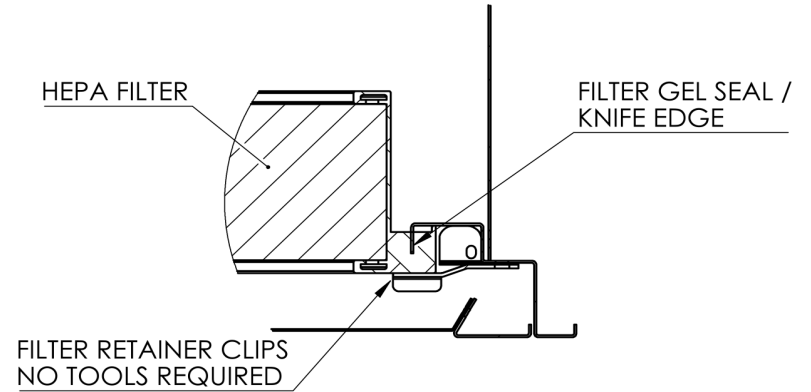
Customer Initial and Date for Product Specification

# OPTIONS

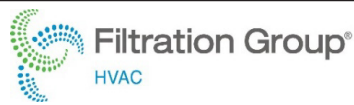
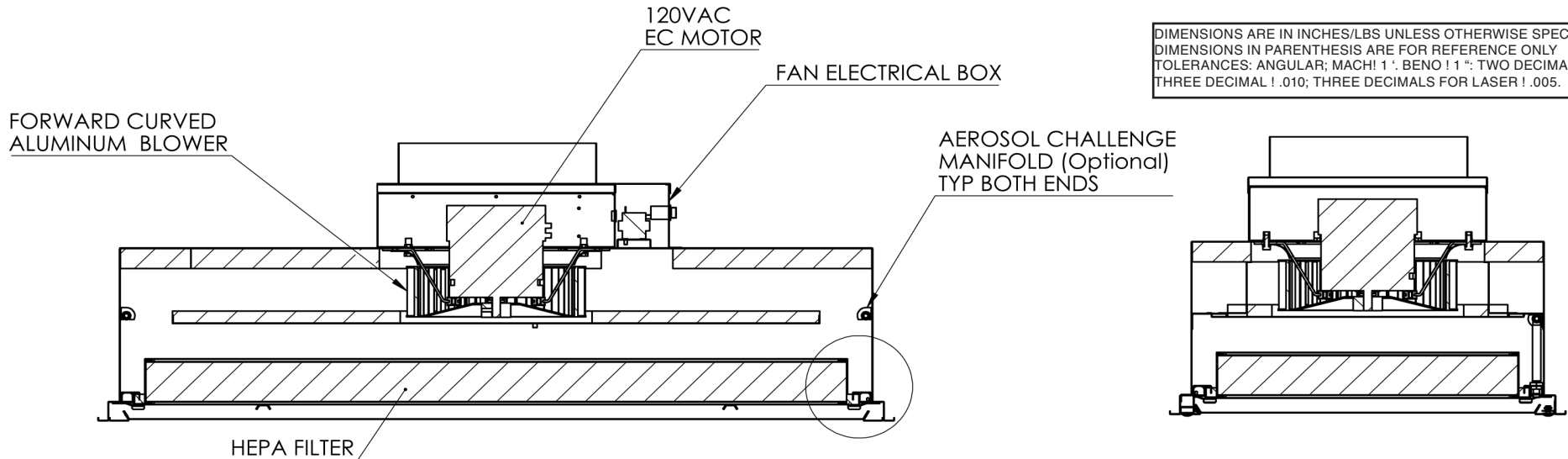
- 316 Stainless Steel
- Aluminum
- Anti-Microbial White Epoxy Finish
  - other color \_\_\_\_\_
- HEPA-Iert Filter load Indicator Light
- (1) Pressure Port
- (2) Pressure Ports
- Aerosol Challenge Manifold
- Rectangle Inlet \_\_\_\_\_
- Oval Inlet
- ULPA Filter
- 208 / 240 VAC
- 277 VAC

# CONTROLS

- Standard - Adj/Display on Face
- 0-10VDC Input
- Basic Wall Control (One per unit)
- Local Area Network
  - Number of units \_\_\_\_\_
- Touchscreen / Network



DIMENSIONS ARE IN INCHES/LBS UNLESS OTHERWISE SPECIFIED.  
DIMENSIONS IN PARENTHESIS ARE FOR REFERENCE ONLY  
TOLERANCES: ANGULAR; MACH! 1' . BENO! 1' . TWO DECIMALS! .03;  
THREE DECIMAL! .010; THREE DECIMALS FOR LASER! .005.



**FFU VS100**

[hvac.filtrationgroup.com](http://hvac.filtrationgroup.com)

|     |    |       |            |                 |           |
|-----|----|-------|------------|-----------------|-----------|
| Rev | SC | Date: | 10/23/2018 | Drawing Number: | Revision: |
| App | VM | Date: | 10/23/2018 | <b>SD-VS100</b> | <b>A</b>  |

## SPECIFICATION INFORMATION

Customer Information: \_\_\_\_\_

Item Number: \_\_\_\_\_

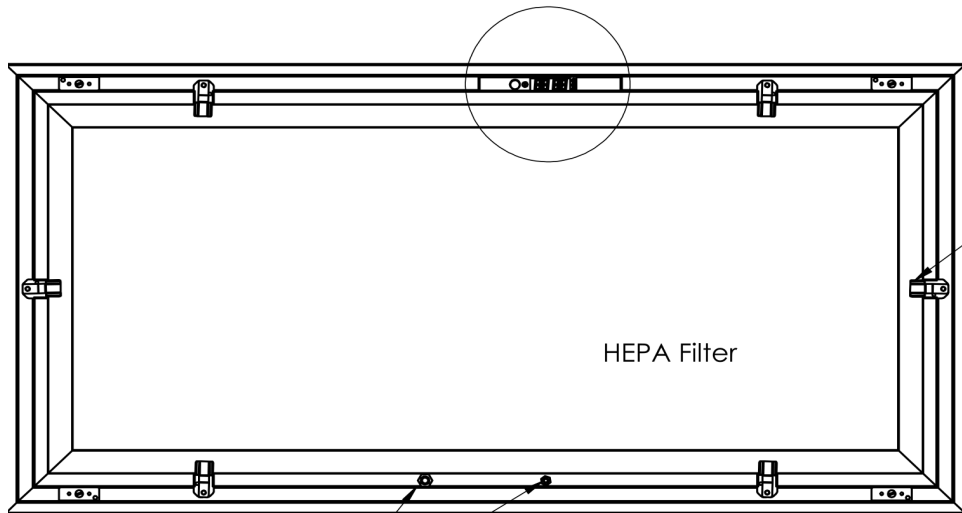
For Non-Standard Sizes, Please Consult the Factory.

\_\_\_\_\_ (H) X \_\_\_\_\_ (W) X \_\_\_\_\_ (D)

Please Specify Size as Nominal or Exact \_\_\_\_\_

## SPECIFIED OPTIONS

Customer Initial and Date for Product Specification



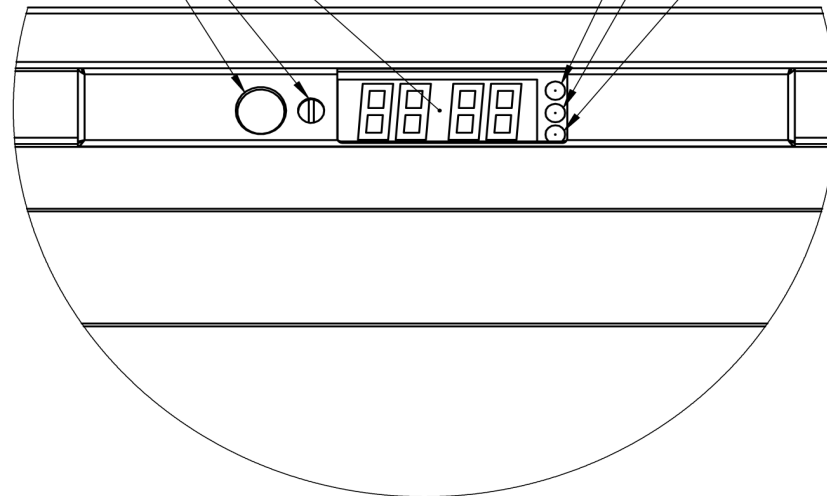
Filter Retainer Clips  
No Tools Required

Pressure Ports  
(Optional)

FACE HIDDEN FOR CLARITY

CFM Display  
Airflow Adjustment  
On/Off Switch

Run Light (Yellow)  
Low Voltage Power  
Run Light (Green)  
Verifies wheel is turning  
HEPA-Alert (Red)  
Filter Indicator Light  
(Optional)



DIMENSIONS ARE IN INCHES/LBS UNLESS OTHERWISE SPECIFIED.  
DIMENSIONS IN PARENTHESIS ARE FOR REFERENCE ONLY  
TOLERANCES: ANGULAR; MACH: 1"; BEND: 1/16"; TWO DECIMALS: .03;  
THREE DECIMAL: .010; THREE DECIMALS FOR LASER: .005.

**Filtration Group**  
HVAC

**FLOWSTAR**

**FFU VS100**

[hvac.filtrationgroup.com](http://hvac.filtrationgroup.com)

|     |    |       |            |                 |  |           |  |
|-----|----|-------|------------|-----------------|--|-----------|--|
| Rev | SC | Date: | 10/23/2018 | Drawing Number: |  | Revision: |  |
| App | VM | Date: | 10/23/2018 | <b>SD-VS100</b> |  | <b>A</b>  |  |

**SPECIFICATION INFORMATION**

Customer Information: \_\_\_\_\_

Item Number: \_\_\_\_\_

For Non-Standard Sizes, Please Consult the Factory.

\_\_\_\_\_ (H) X \_\_\_\_\_ (W) X \_\_\_\_\_ (D)

Please Specify Size as Nominal or Exact \_\_\_\_\_

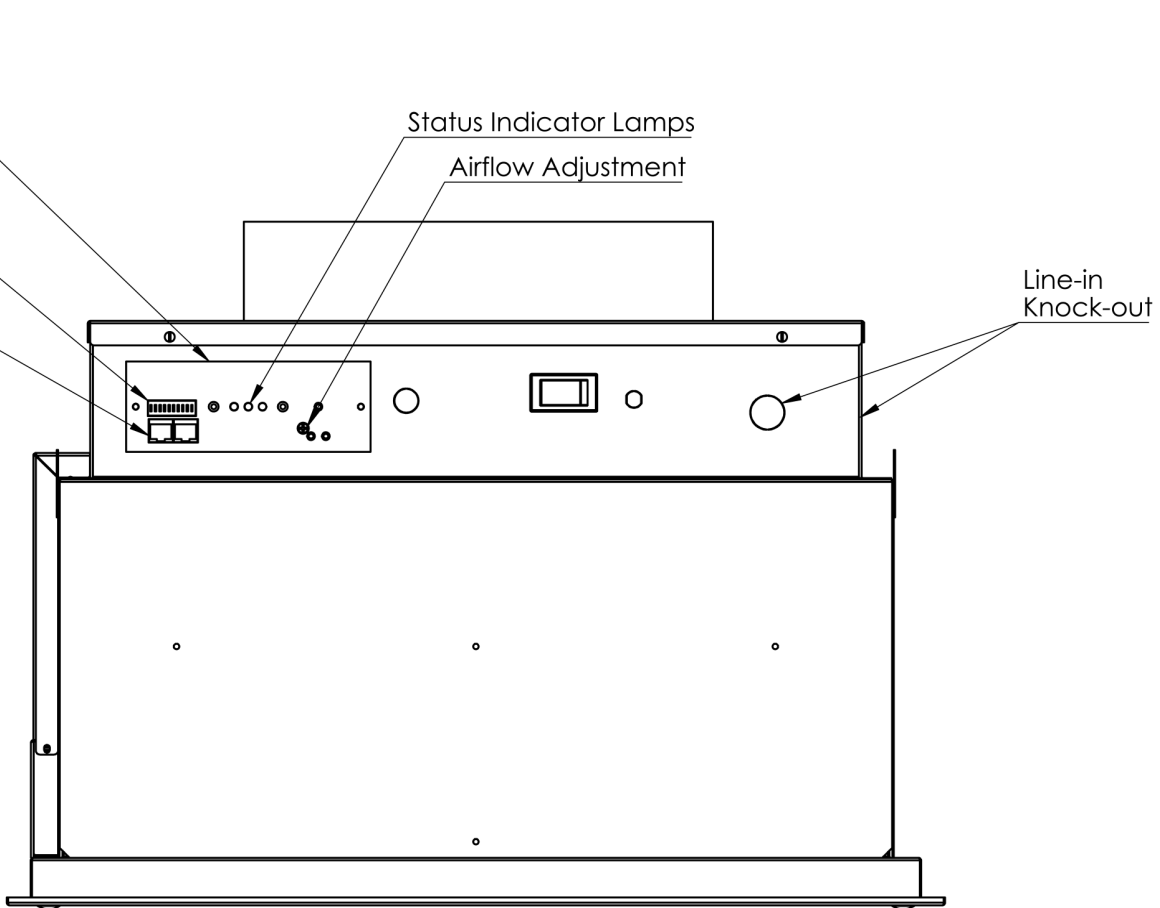
**SPECIFIED OPTIONS**

\_\_\_\_\_

\_\_\_\_\_

Customer Initial and Date for Product Specification

\_\_\_\_\_



DIMENSIONS ARE IN INCHES/LBS UNLESS OTHERWISE SPECIFIED.  
 DIMENSIONS IN PARENTHESIS ARE FOR REFERENCE ONLY  
 TOLERANCES: ANGULAR; MACH: 1"; BENO: 1"; TWO DECIMALS: .03;  
 THREE DECIMAL: .010; THREE DECIMALS FOR LASER: .005.

**Filtration Group**  
HVAC

**FLOWSTAR**

**FFU VS100**

[hvac.filtrationgroup.com](http://hvac.filtrationgroup.com)

|     |    |       |            |                 |                 |           |          |
|-----|----|-------|------------|-----------------|-----------------|-----------|----------|
| Rev | SC | Date: | 10/23/2018 | Drawing Number: | <b>SD-VS100</b> | Revision: | <b>A</b> |
| App | VM | Date: | 10/23/2018 |                 |                 |           |          |

| SPECIFICATION INFORMATION                           |
|---|
| Customer Information: _____                         |
| Item Number: _____                                  |
| For Non-Standard Sizes, Please Consult the Factory. |
| _____ (H) X _____ (W) X _____ (D)                   |
| Please Specify Size as Nominal or Exact _____       |

| SPECIFIED OPTIONS                                   |
|---|
|   |
|   |
| Customer Initial and Date for Product Specification |
|   |