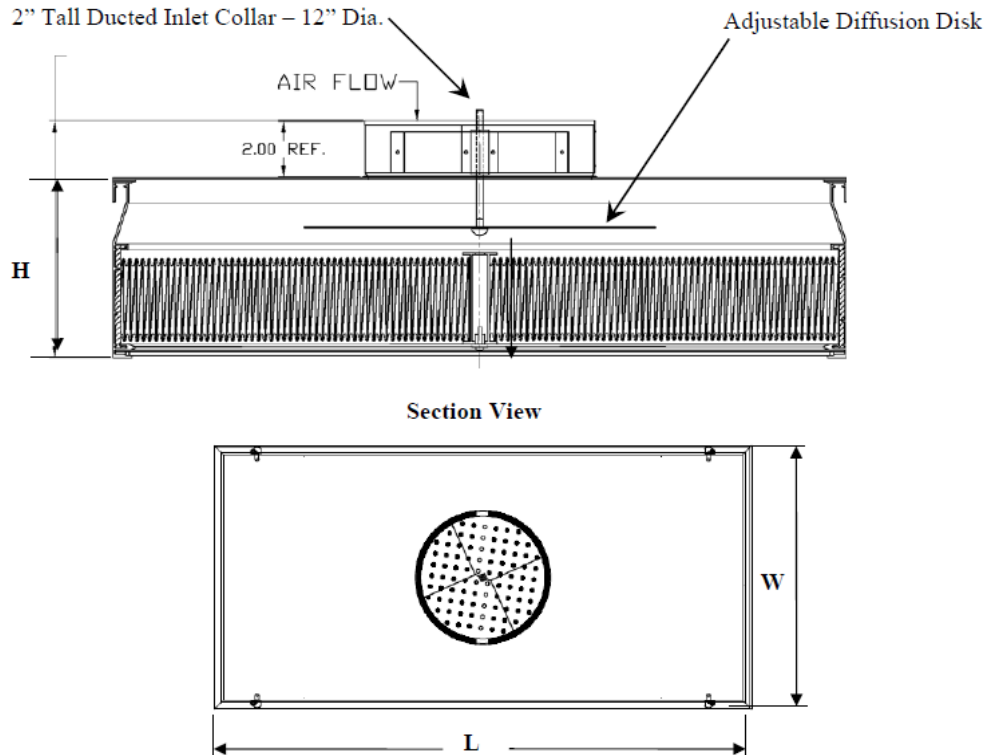


### FlowStar DTM Specifications

- 1) Hood body constructed of extruded aluminum with clear anodized finish
- 2) Adjustable diffusion disc attached to inlet collar & adjustable through filter center divider
- 3) Galvanized hood sheet, hanging tabs, and Ducted Inlet (12" sized)
- 4) Filter constructed of extruded aluminum with clear anodized finish
- 5) Media pack 2.0", 2.5", or 4.0" mini pleat with thermo plastic resin separators  
UL Rating: UL 900 Classified
- 6) Center divider with single access port
- 7) Protective expanded steel painted white screen on the filter air leaving side
- 8) Two component polyurethane pack to frame sealant
- 9) Minimum filter efficiency 99.99% at 0.3 micron and 100 fpm
- 10) Filters individually leak scan tested to maximum allowable leak rate of 0.01%
- 11) Filters manufactured in accordance with IEST-RP-CC001 Latest Revision
- 12) Filter tolerances are +0.00/-0.125 from listed dimensions
- 13) Filters will be square to within 1/8" for diagonals under 30 in. and  
Filters will be square to within 1/4" for diagonals over 30 in.



### Filter & Air Resistance Information (Resistance based on open media face, 100 fpm air velocity)

Item	DTM Size (W"xL"xH")	Filter Depth (Inches)	Pack Depth (Inches)	Max. Resistance (Inches W.G.)	Air Flow Rate (CFM)
DTM-01 40649	23-5/8 x 23-5/8 x 7-7/8	5-7/8	2.5	0.45	320
DTM-01 40650	23-5/8 x 47-5/8 x 7-7/8	5-7/8	2.5	0.45	690
DTM-12 40632	23-5/8 x 23-5/8 x 7-1/4	5-1/4	2.0	0.52	320
DTM-12 40634	23-5/8 x 47-5/8 x 7-1/4	5-1/4	2.0	0.52	690
DTM-20 41775	23-5/8 x 23-5/8 x 9-1/4	7-1/4	4.0	0.36	320
DTM-20 41777	23-5/8 x 47-5/8 x 9-1/4	7-1/4	4.0	0.36	690

### SPECIFICATION INFORMATION

Customer Information: \_\_\_\_\_  
 \_\_\_\_\_  
 Item Number: \_\_\_\_\_  
 For Non-Standard Sizes, Please Consult the Factory.  
 \_\_\_\_\_ (H) X \_\_\_\_\_ (W) X \_\_\_\_\_ (D)  
 Please Specify Size as Nominal or Exact \_\_\_\_\_

### SPECIFIED OPTIONS

Customer Initial and Date for Product Specification \_\_\_\_\_



**Filtration Group**  
HVAC



### FLOWSTAR DTM - 12" Inlet Collar

Rev	BC	Date:	2018-04-12	Drawing Number:	SD-DTM 12in	Revision:	06
<a href="http://www.filtrationgroup.com">www.filtrationgroup.com</a>							